



# MEGA160/160TC

Engine Power : SAE J1995, gross 81kw(110HP) @ 2,200rpm  
SAE J1349, net 77kw(104HP) @ 2,200rpm  
Operating Weight : (Open ROPS Cabin) 8,460kg (18,650lb)  
(ROPS Cabin) 8,600kg (18,960lb)  
Bucket Capacity : 1.6m<sup>3</sup>(2.1 cu.yd)

Engine Power : 77kw(104HP) @ 2,200rpm  
Operating Weight :  
(W / O Coupler) 8,600kg (18,960lb)  
Bucket Capacity : 1.6m<sup>3</sup> (2.1 cu.yd)



# TECHNICAL SPECIFICATIONS

## \* ENGINE

### • Model

DOOSAN DB58

### • Flywheel horse power

#### Standard

Gross (SAE J1995) 110HP(81kw) at 2,200rpm

Net (SAE J1349) 104HP(77kw) at 2,200rpm

#### Low noise

99HP(74kw) at 2,200rpm

104HP(77kw) at 2,200rpm

### • Cooling type-Standard

Pusher plastic fan pressurised radiator

### • Cooling type-Low noise

Sucker plastic fan driven by hydraulic fan moter

### • Type

4-Cycle, water cooled, direct injection. Naturally aspired

### • Max. torque (SAE J1349)

37kg.m(268ft.lb)/1,600rpm

### • Total displacement

5785cc(353in<sup>3</sup>)

### • No. of cylinders

6

### • Bore x stroke

102mm(4.02") × 118mm(4.65")

### • Air cleaner

Dry type(double stage)

## \* ELECTRICAL SYSTEM

### • Voltage

24V

### • Batteries, in series

2 × 12V

total capacity : 100 Ah

type : maintenance-free

### • Starter motor

24V × 4.5KW

### • Alternator capacity

50A

## \* TORQUE CONVERTER

### • Type

single stage / three phase

### • Torque stall ratio

3.057:1

## \* TRANSMISSION

### • Type

full Auto power-shift design with four forward and three reverse speeds.

### • Control

single lever electric "fingertip" type.

### • Forward speeds

1 - 6.6 kph (4.1 mph)

2 - 11.7 kph (7.3 mph)

3 - 21.4kph(13.3)

4 - 34.5 kph (21.4 mph)

### • Reverse speeds

1 - 7.1 kph (4.4 mph)

2 - 12.2 kph (7.6 mph)

3 - 22.4 kph (13.9 mph)

Safety device prevents engine starting while in gear

## \* AXLES

Rigid front axle, oscillating rear axle with planetary reduction gears in each wheel hub

### • Rear axle oscillation

22°

"Torque proportioning" differential type Trunnion, Fully-Floating and wet disc brakes

## \* BRAKES

### • Type

wet multi disc brakes

Full hydraulic brake circuit Independent circuit for each axle dual pedal braking system

### • Parking brake

oil released, spring apply hydraulic release(SAHR)on front axle.

Hydraulic control by means of switch in cab.

The brake circuit complies with the following international

### • Standards

ISO3450, EEC 71/320, SAE J1473

## \* TIRES

### • Type

Tubeless

### • Choice of

17.5-25-12PR (L-2)

17.5-25-12PR (L-3)

17.5-R25, Radial (L-2 equivalent)

## \* HYDRAULIC SYSTEM

### • Type

sealed system with anticavitation and relief valves

### • Pump

gear type with steel case and automatic wear compensation

- max. flow delivery : 140 ℓ /min (37gal/min)

- max. working pressure : 200kg/cm<sup>2</sup> (2845psi)

### • Control

Pilot, single lever Double-acting hydraulic cylinders

### • Loader arm (2EA)

bore x stroke : 105mm(4.3") × 680mm(26.8")

### • Bucket (1EA)

bore x stroke : 130mm(5.1") × 400mm(15.7")

### • Operating time

lift - 6.0 s

lower - 3.1 s

dump - 1.5 s

Hydraulic lines and connecting flanges are equipped with O-ring seals.

Invaluable for loading and transport on uneven terrain.

## \* STEERING

### • Type

hydraulic "load sensing" with priority valve

### • Pump

utilize the hydraulic system pump

### • Max. flow rate

140 ℓ /min (37gal/min)

### • Max. working pressure

170 ~175kg/cm<sup>2</sup> (2420 ~ 2490psi)

### • Cylinders

bore x stroke : 60mm(2.4") × 395mm(15.5")

## \* CAB

ROPS/FOPS modular cab. Excellent all-round visibility.

The ROPS/FOPS cab complies with the following standards:

ROPS - ISO 3471/SAE 1040

FOPS - ISO 3449/SAE J 231

### • External sound power level

Guaranteed sound power level : LWA 105 dB(A)

(According to EU Directive 2000/14/EL)

## \* CAPACITIES

### • ENGINE

Lube oil : 13 litres (3.4gal)

Coolant : 29 litres (7.7gal)

Fuel tank : 185 litres (48.9gal)

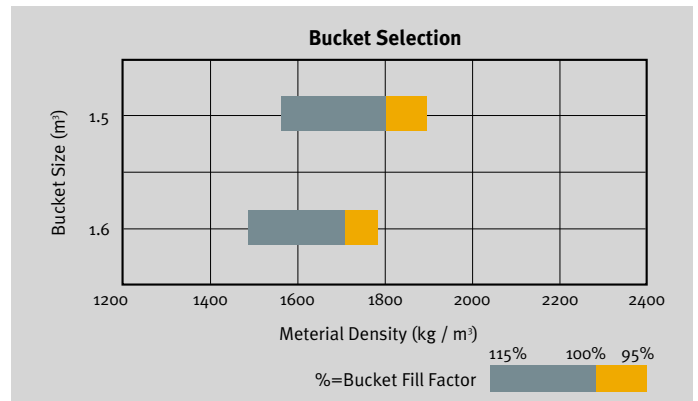
Transmission oil : 20 litres (5.3gal)

Hydraulic system : 100 litres (26.4gal)

### • AXLES

Front : 18 litres (4.7gal)

Rear : 18 litres (4.7gal)



# STANDARD AND OPTIONAL EQUIPMENT

## \* STANDARD

**Note: standard and optional equipment may vary by country. consult your dealer for specification.**

- Air cleaner, dry type
- Alternator, 50A
- Automatic lift kickout and bucket positioner
- Back-up alarm
- Batteries, maintenance free
- Brakes, oil bath discs
- Open ROPS cab
- Clock
- Standard differential axle
- Drawbar, fixed
- External temperature indicator
- Fenders, front and rear
- Frame lock
- Horn
- Instrument dashboard with:
  - hourmeter, speedometer, tachometer Indicators:
  - transmission oil and engine coolant temperature
  - fuel level

### • Warning lights:

- battery charge
- brake oil pressure
- engine coolant
- engine oil pressure
- parking brake
- Air-cleaner filter clogging

### • General malfunction warning lights

- Lighting: two headlights, two rear flood lights, two stop lights, two reverse indicator lights
- Parking brake
- Sealed loader linkage
- Seat, cloth covered with elastic suspension
- Single lever pilot control for boom and bucket actuation
- Steering column, adjustment tiltable type
- Steering knob
- Tires, 17.5-25-12PR (L2)
- Bucket with bolt-on cutting edge (1.6m³)
- Tool kit
- Transmission declutch
- Transmission: torque converter and full auto power-shift

## \* OPTIONAL

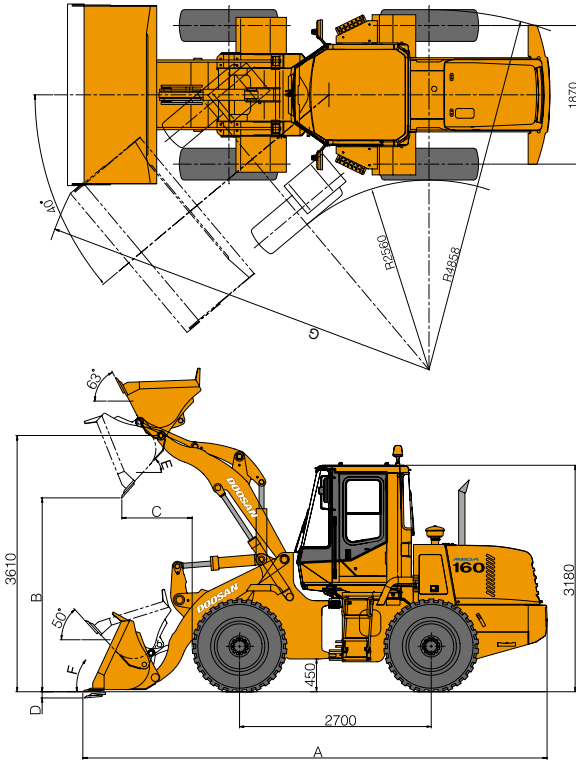
- ROPS cab
- Bucket with bolt-on teeth (1.5m³)
- Bucket with bolt on extended cutting edge (1.6m³)
- Auxiliary hydraulic function
- Emergency steering
- Fire extinguisher
- Air conditioning
- Fuel feeding pump
- Pallet fork
- Road traffic homologation
- Rotating beacon
- Under guard
- Tires (17.5-R25)
- Limited slip differential (LSD) axle

# DIMENSIONS

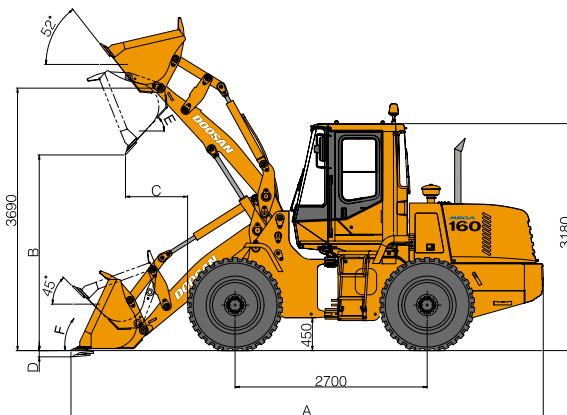
MEGA160

## \* Standard

### [ Z-bar linkage ]



### [ Parallel linkage ]



\* All performance data and specifications based on a unit with 17.5-25 tyres and ROPS Cabin.

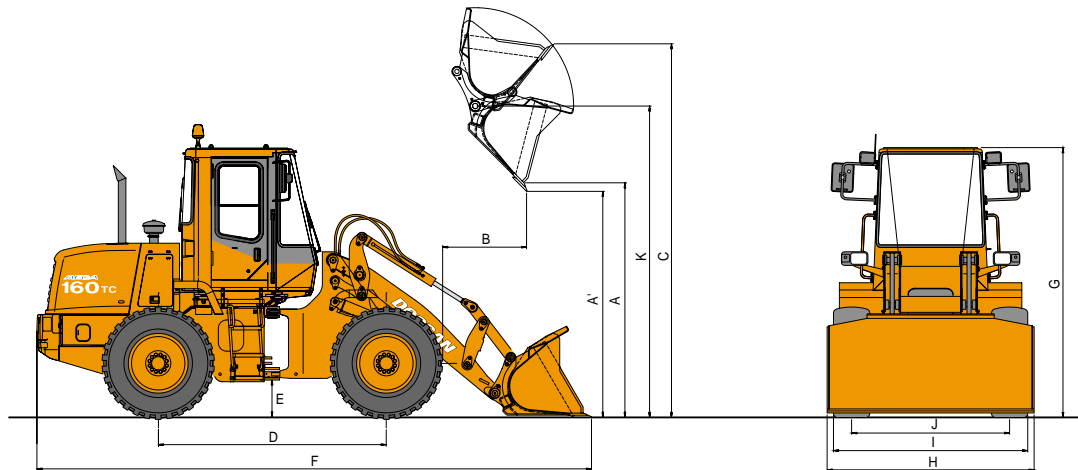
## \* SPECIFICATIONS

Bucket Type (With 17.5-25 tires)	Unit	Cutting Edge		Tooth	
		Standard	Low noise	Standard	Low noise
Capacity heaped	m <sup>3</sup> (yd <sup>3</sup> )	1.6 (2.1)		1.5 (2.1)	
Material density	kg/m <sup>3</sup> (lb/yd <sup>3</sup> )	1,800 (3,033)			
Bucket width	mm(ft.in)	2,450 (8'0")			
Static tipping load, straight	kgf(lbf)	6,500 (14,330)			
Static tipping load, full turn 40°	kgf(lbf)	5,300 (11,680)		6,500 (14,330)	
Breakout force	kgf(lbf)	7,800 (17,200)			
Overall length	A mm(ft.in)	6,390(20'10")	6,540(21'45")	6,470(21'2")	6,620(21'7")
Dump Height at 45°	B mm(ft.in)	2,745 (9'0")		2,685 (8'8")	
Dump Reach at 45°	C mm(ft.in)	1,020 (3'4")		1,073 (3'5")	
Digging depth	D mm(ft.in)	73 (2.4")		73 (2.4")	
Max. dump angle at fully raised	E deg	47			
Max. tilt angle on ground	F deg	42			
Turning radius at bucket	G mm(ft.in)	5,390 (17'7")		5,440 (17'8")	
Operating weight	kgf(lb)	8,600 (18,960)		8,580 (18,910)	

## \* SPECIFICATIONS

Bucket Type (With 17.5-25 tires)	Unit	W/O Coupler		W/Coupler	
		Standard	Low noise	Standard	Low noise
Capacity heaped	m <sup>3</sup> (yd <sup>3</sup> )	1.6 (2.1)		1.5 (2.1)	
Material density	kg/m <sup>3</sup> (lb/yd <sup>3</sup> )	1,800 (3,033)			
Bucket width	mm(ft.in)	2,450 (8'0")			
Static tipping load, straight	kgf(lbf)	6,100 (13,440)		5,700 (12,560)	
Static tipping load, full turn 40°	kgf(lbf)	5,200 (11,460)		4,800 (10,580)	
Breakout force	kgf(lbf)	7,400 (16,314)		6,300 (13,890)	
Overall length	A mm(ft.in)	6,455 (21'2")	6,605 (21'6")	6,573 (21'6")	6,723 (22'05")
Dump Height at 45° (w/o teeth)	B mm(ft.in)	2,824 (9'3")		2,728 (8'11")	
Dump Height at 45° (w/teeth)	B mm(ft.in)	2,706 (8'11")		2,619 (8'7")	
Dump Reach at 45°	C mm(ft.in)	899 (2'11")		995 (3'3")	
Digging depth	D mm(ft.in)	67 (2.6")			
Max. dump angle at fully raised	E deg	47			
Max. tilt angle on ground	F deg	46			
Turning radius (without bucket)	G mm(ft.in)	4,859 (15'11")			
Operating weight	kgf(lb)	8,600 (18,960)		9,150 (20,170)	

\* Tool Carrier



\* SPECIFICATIONS

Item		Unit	W / O Coupler	W / Coupler
Operating weight		kg (lb)	8,600 (18,960)	9,150 (20,170)
Bucket capacity (SAE heaped)		m <sup>3</sup> (cu .yd)	1.6 (2.1)	1.5 (2.0)
Travel speed		km/h (mph)	34.5 (21.4)	
Gradeability		% (deg)	58 (30)	
Tire size			17.5x25 - 12PR (L2)	
Breakout force		ton (lbf)	9.4 (20,720)	8.1 (17,850)
Dumping clearance at 45° (Without teeth)	A	mm (ft.in)	2,824 (9'3")	2,728 (8'11")
Dumping clearance at 45° (With teeth)	A'	mm (ft.in)	2,706 (8'11")	2,619 (8'7")
Reach at max height at 45°	B	mm (ft.in)	899 (2'11")	995 (3'3")
Overall operating height	C	mm (ft.in)	4,725 (15'6")	4,855 (15'11")
Wheel base	D	mm (ft.in)	2,700 (8'10")	
Ground clearance	E	mm (ft.in)	405 (1'4")	
Overall length	F	mm (ft.in)	6,455 (21'2")	6,573 (21'6")
Overall height	G	mm (ft.in)	3,180 (10'5")	
Overall width	H	mm (ft.in)	2,450 (8'0")	
Width over tire	I	mm (ft.in)	2,300 (7'6")	
Tread width	J	mm (ft.in)	1,870 (6'1")	
Bucket Hinge pin height	K	mm (ft.in)	3,690 (12'1")	
Max. dumping angle		deg	47	
Max. tilt angle (on ground)		deg	46	
Max. tilt angle (fully raised)		deg	52	
Max. tilt angle (at carry)		deg	45	
Digging depth (0° level)		mm (ft.in)	67 (2.6")	
Max. steering angle		deg	40	
Turning radius (without bucket)		mm (ft.in)	4,859 (15'11")	
Static Tipping Load (straight)		ton (lbs)	6.1 (13,440)	5.7 (12,560)
Static Tipping Load (full turn)		ton (lbs)	5.2 (11,460)	4.8 (10,580)



**Seoul Office :**

Doosan Tower 27<sup>th</sup> FL. 18-12, Euljiro-6Ga,  
Jung-Gu, Seoul, Korea 100-730

Tel : +82-2-3398-8114

Fax : +82-2-3398-8117

[www.doosaninfracore.com](http://www.doosaninfracore.com)

**Doosan Infracore Europe S.A.**

1A, Rue Achille Degrâce, 7080 Frameries, Belgium  
Tel : +32-65-61-3230 Fax : +32-65-67-7338

**Doosan Infracore U.K., Ltd.**

Doosan House, Unit 6, 3 Heol Y Gamlas, Parc Nantgarw, Nantgarw,  
Cardiff. CF15 7QU, U.K.  
Tel : +44-1443-84-2273 Fax : +44-1443-84-1933

**Doosan Infracore Europe S.A. Germany**

Heinrich-von-Stephan str. 2 40764 Langenfeld, Germany  
Tel : +49-2173-2035-210 Fax : +49-2173-2035-219

**Doosan Infracore France**

ZAC de La Clef Saint Pierre - Buroplus 2 1A Avenue Jean d'Alembert  
78990 Elancourt, France  
Tel : +33-(0)1-30-16-21-41 Fax : +33-(0)1-30-16-21-44

**Doosan Infracore America Corporation**

2905 Shawnee Industrial Way, Suwanee, Georgia 30024, U. S. A  
Tel : +1-770-831-2200 Fax : +1-770-831-0480

**Doosan Infracore China Co., Ltd.**

#28, Wuzhishan Road, Eco. & Tech, Development Zone, Yantai, Shandong, China  
Tel : +86-535-638-2000 Fax : +86-535-638-2004

**Doosan Infracore South Africa (PTY) LTD.**

60C Electron Road, Isando 1600, Johannesburg, South Africa  
Tel : 27-11-974-2095 Fax : 27-11-974-2778

**Doosan Infracore Middle East Center (Dubai)**

P.O.Box 183127, Al-Serkal Building, Air Port Road, Dubai, U.A.E  
Tel : +971-4-295-2781~2 Fax : +971-4-295-2783

**Doosan Infracore Latinamerica oficina (Colombia)**

Dia gonal 127 A No. 17-14, oficina 302 Bogota, Colombia  
Tel : +571-216-1655 Fax : +571-648-7700



PBP M160\_M160TC W5 0705

The illustrations do not necessary show the product in standard version.  
All products and equipments are not available in all markets.  
Materials and specifications are subjects to change without prior notice.